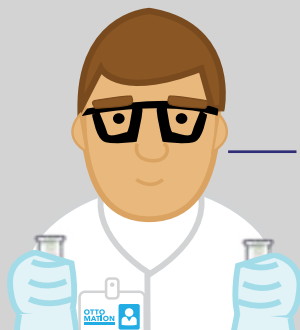


1046 SCI-PRINT MP2+ FULLY AUTOMATED PLATE HANDLER

The Sci-Print MP2+ is compatible with a variety of microplates and deep well blocks*. The system includes two vertical stackers for loading and unloading of microplates. Plates are loaded into an input stacker, processed at the printing platform, and moved to the output stacker.

FEATURES & BENEFITS

- Labels can be applied to all sides of the plate
- Removable stackers for easy loading & unloading
- Stacker holds up to 48 non-lidded plates or 13 deep well blocks (additional stackers can be added to increase plate capacity)
- Includes barcode scanner for validation
- De-lidder available (options)
- Fast cycle times
- User configurable label fields
- User adjustable height
- Can print range of barcodes (1D & 2D)
- Increases productivity & efficiency
- Increases walk-away time
- Eliminates human error

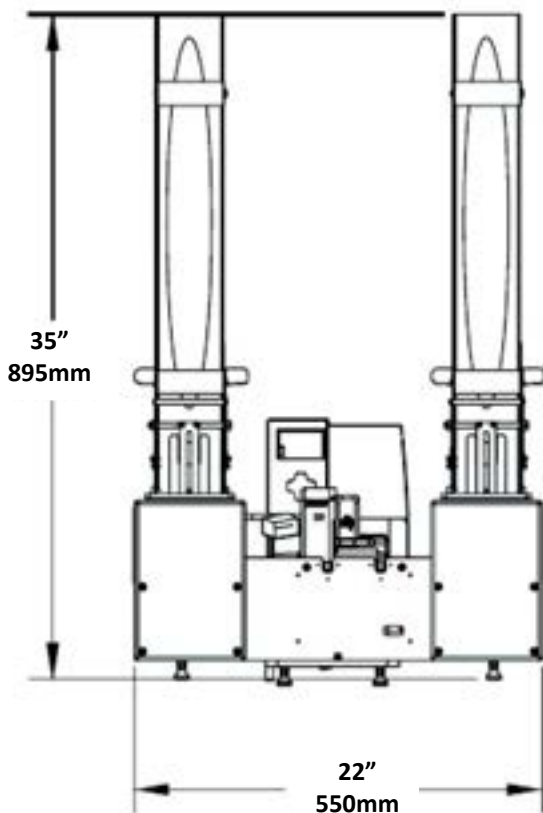


Contact us for more
info!
p. 314-298-9800
e. info@scinomix.com
w. scinomix.com

SCI-PRINT MP2+ SPECIFICATIONS

System Requirements	Windows 7 with Service Pack 1, or Windows 8 or 8.1 (recommended) OR Windows XP with Service Pack 3, Microsoft.NET Framework 3.5 with Service Pack 1 or greater
Network Requirements	Connects to a computer via an RS232 serial port. A serial port or USB-serial port adaptor is required on the computer
Air Requirements	80-90 PSI @ 2.5 CFM. The air supply must be oil/contaminant free, with an inline regulator and air dryer.
Main Power Requirements	Printer: 110-240V AC @2A 50-60Hz, Power Supply: 120-240VAC @ 2.3 A, 50-60Hz
Provided Power Supply	Output Voltage: 24 V DC Max Output Current: 2.71 A Max Output Power: 65 W Max Ripple and Noise: 240 mV p-p
Transport and Storage Temperature	-20 degrees C to +55 degrees C
Operating Environment	(Indoor use only) Temperature: 10 degrees C to 40 degrees C Humidity: 20% to 80% non-condensing Altitude: Up to 2000M Main Supply: +/- 10% Rated Voltage Transient overvoltage: Overvoltage category I , Printer (Overvoltage category) II Rated pollution: Pollution degree II
Physical Dimensions	Height: 35" (895mm), Width: 22" (550mm), Depth: 31" (781mm), Weight: 160 lbs. (73KG)
Labeling Rate/Throughput	1-sided labeling: 440 plates/hour, 2-sided labeling: 330 plates/hour
Plate Height Specifications	48 half height microplates without lids, or 13 deep-well blocks+
*Plate Requirements	ANSI SLAS PLATE REQUIREMENTS: https://www.slas.org/SLAS/assets/File/ANSI_SLAS_1-2004_FootprintDimensions.pdf

Front View



Side View

